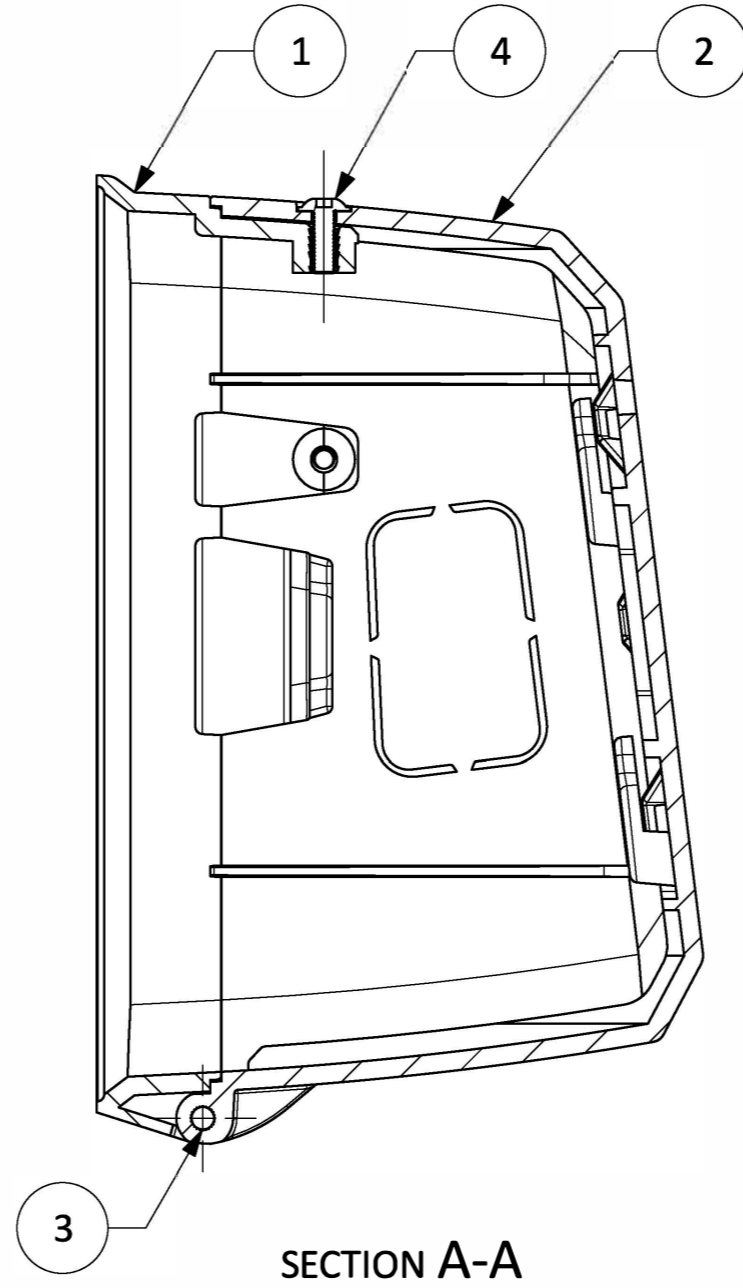
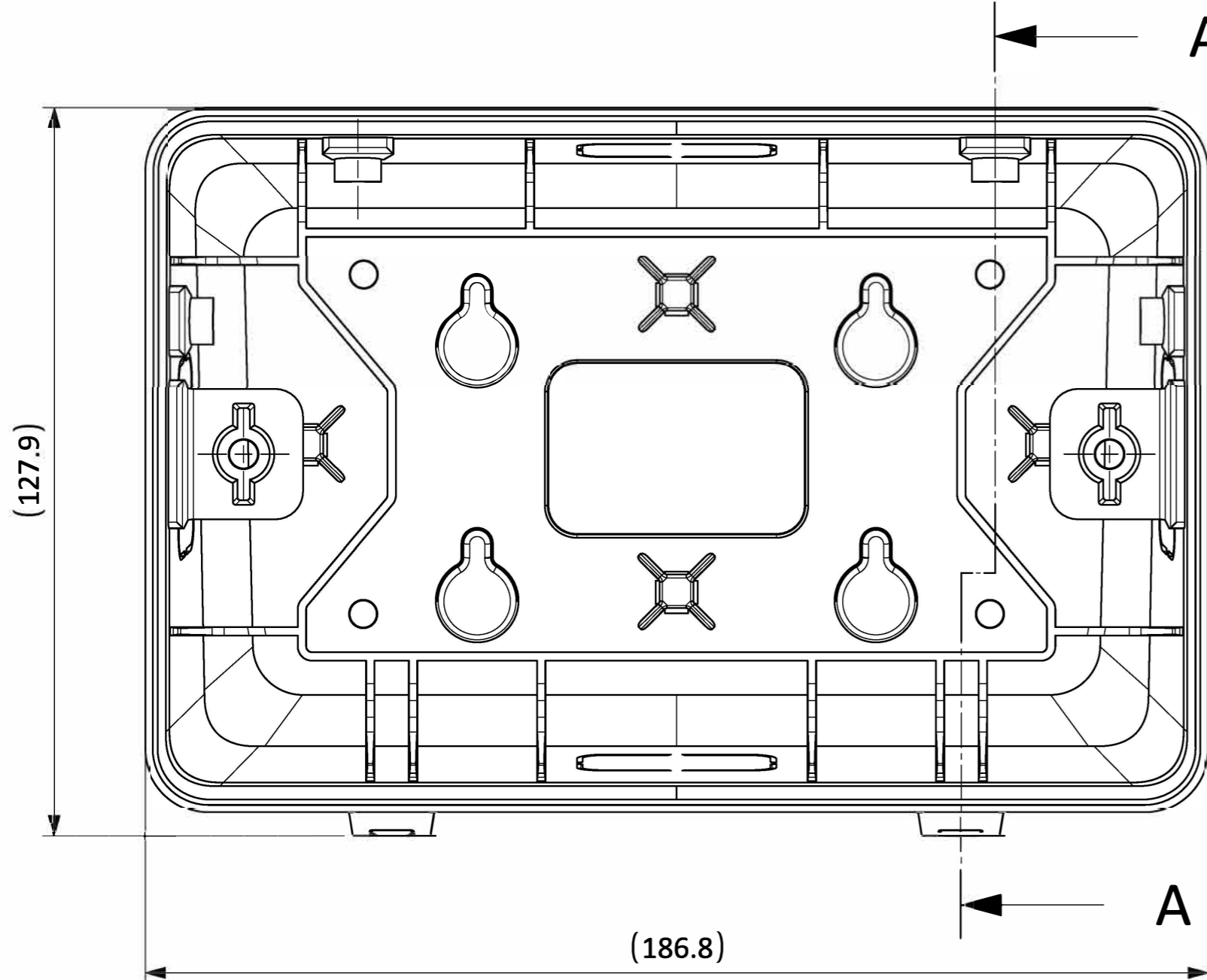
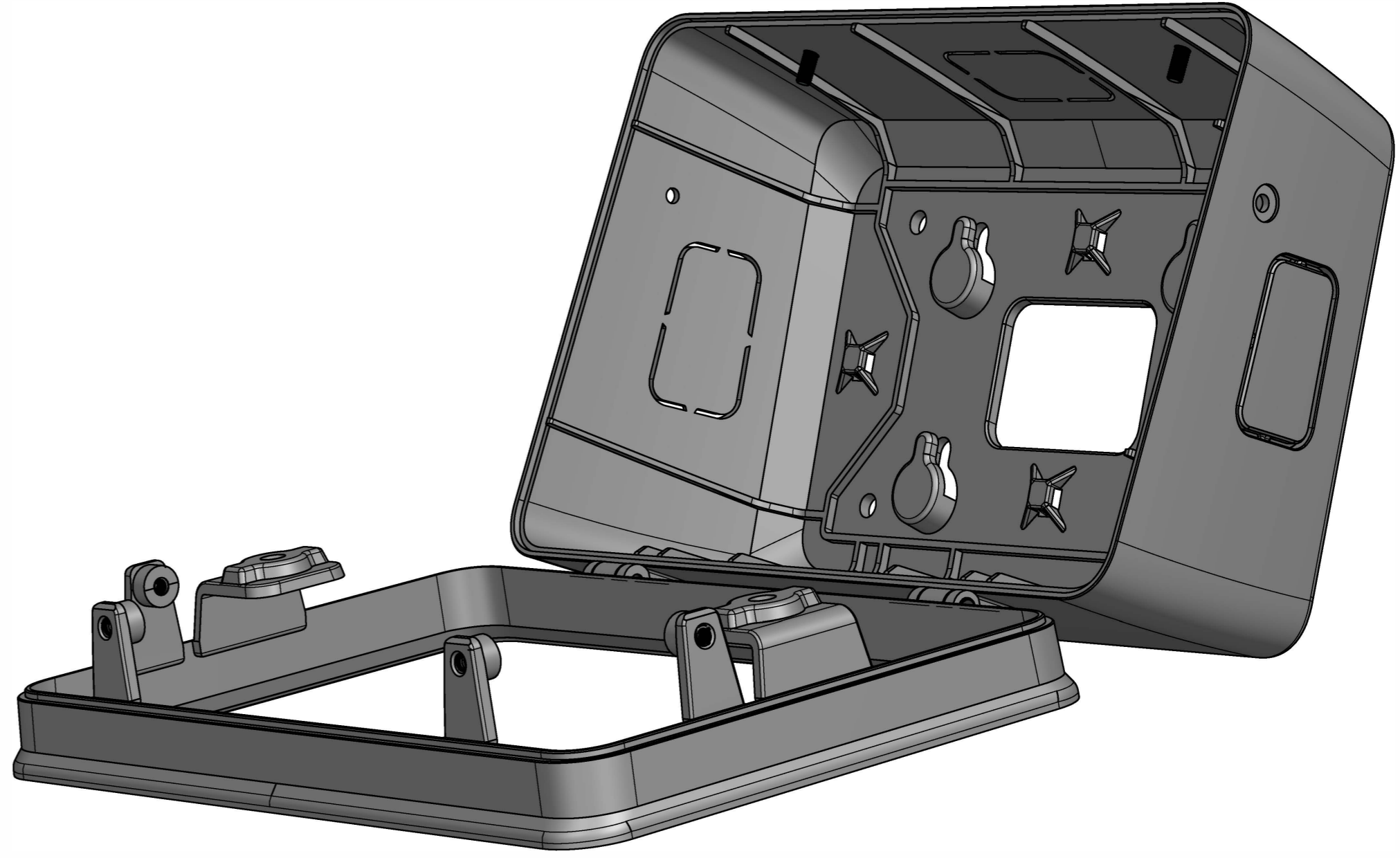
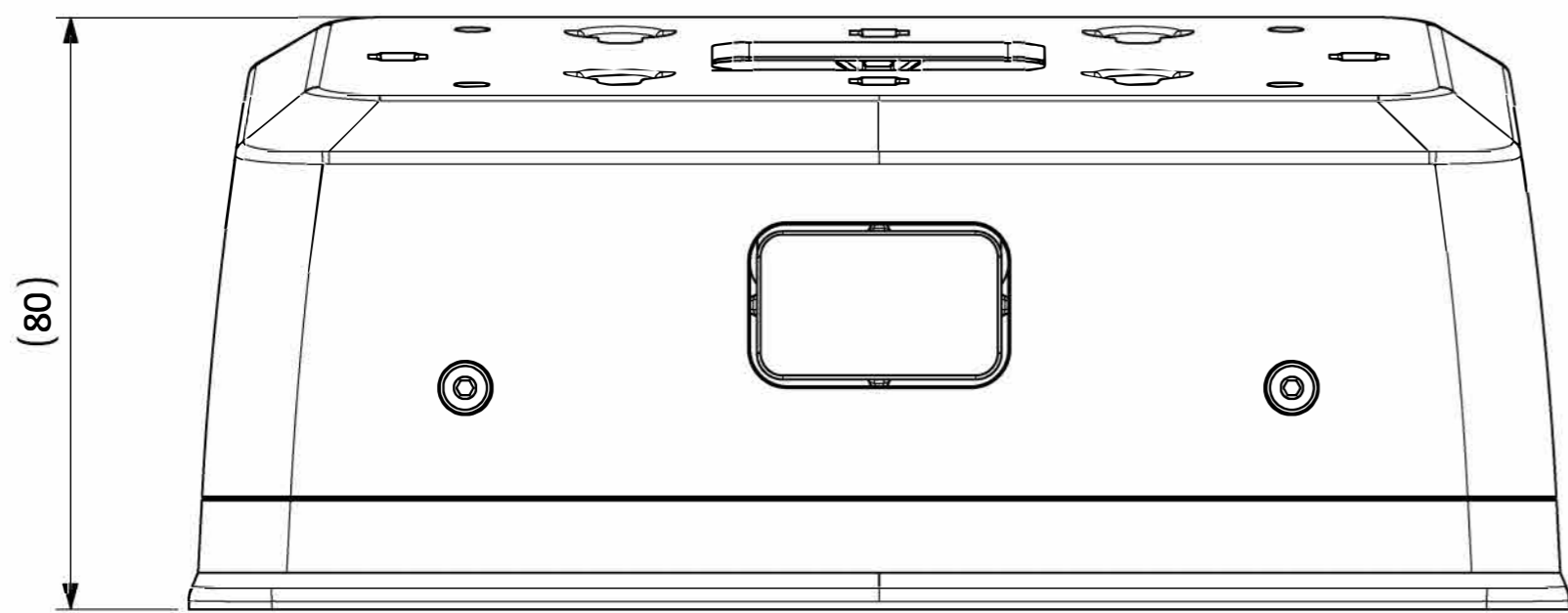

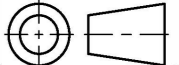


| | | | | |
|-----------|-----------------------|--------------------|-------------|----------|
| Revision: | Description revision: | Date (yyyy-mm-dd): | Revised by: | Checked: |
| - | - | - | - | - |



| | | |
|-------|---|-----|
| 4 | SCREW M3X8 ISO7380-2-STZN | 2 |
| 3 | EKRANO WALLBOX AXLE_A_20240717 | 2 |
| 2 | EKRANO WALLBOX BACK HOUSING_A_20240717 | 1 |
| 1 | EKRANO WALLBOX FRONT HOUSING_A_20240717 | 1 |
| PC NO | PART NAME | QTY |

| | | | | |
|---|--|--|------------------------|---------------------|
| Part name: assy Wallbox | Material: as specified in part drawing | Date (yyyy-mm-dd): 2024-07-17 | Drawn by: DZ | Checked: - |
| Part number: - | Colour: as specified in part drawing | Size: A2 | Scale: 1:1 | Units: mm |
| Project: Ekrano Wallbox | Treatment: - | Status: <input type="checkbox"/> For information only <input checked="" type="checkbox"/> Released for tooling <input type="checkbox"/> Released for production | | |
|  | Not indicated tolerances: D m: Angle: Standard: | Document name: _Assy Ekran Wallbox_A_20240717 | | |
| | Three dimensional CAD data is final reference for dimensions and surfaces | 3D CAD reference: _Assy Ekran Wallbox_A_20240717 | | |
| | Materials should comply to 2011/65/EU, its appendices and its successive amendments | 3rd angle projection  | | |
| Pezy Group: 0204008 | | Revision: A | | |

This drawing is Pezy Group property.
 Copying it using any technique or making it
 accessible to other firms or persons without
 Pezy Group permission is forbidden.